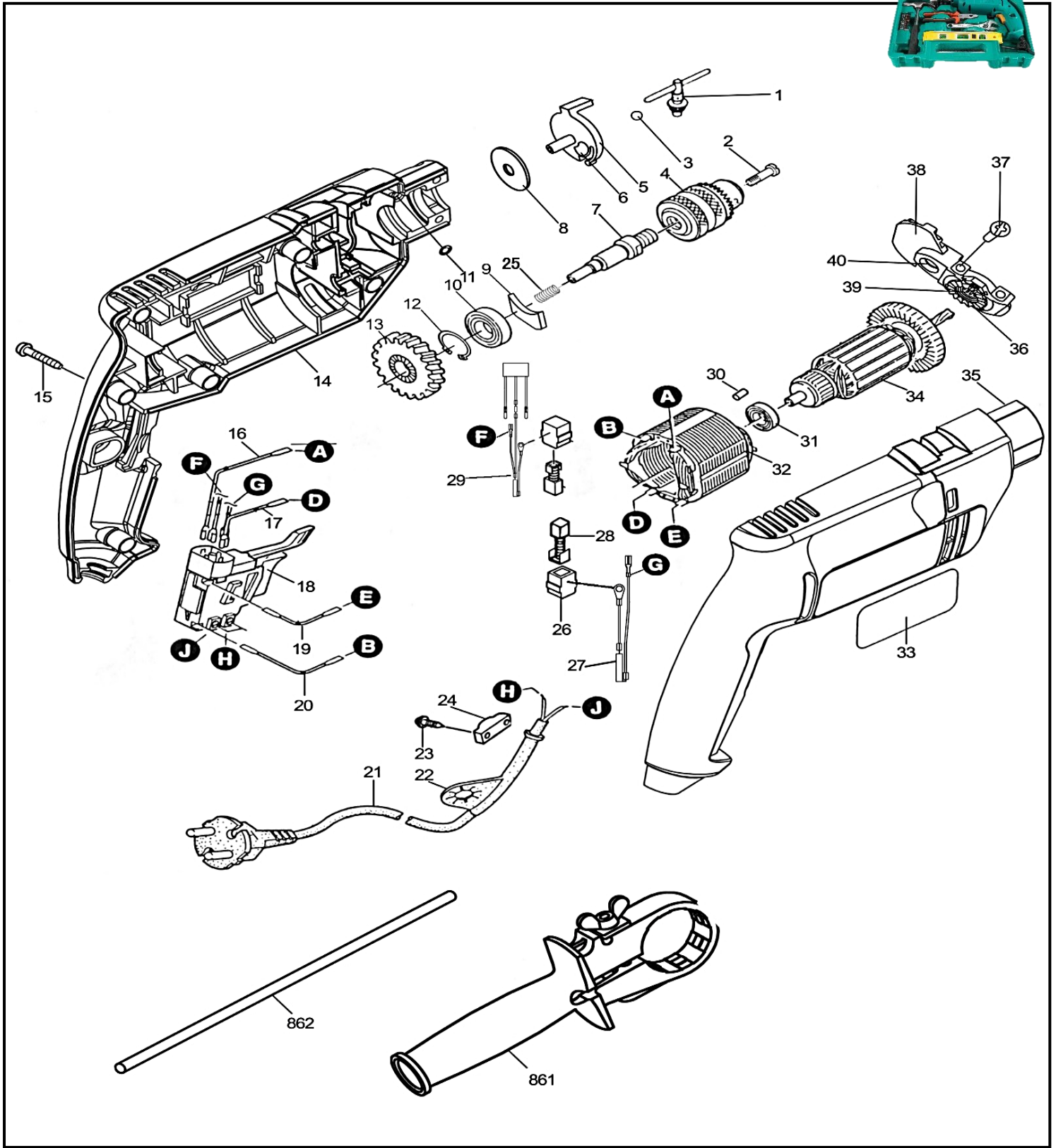


AZJ04-13 / Z1J-FF04-13
DCA 1/2" IMPACT DRILL
C/W VERSATILE SET

NO : DCA017AA-1
SPECIFICATION : Φ 13mm





NO	Code	Name of Spare Parts	
1	30071300010	Chuck Wrench	
2	30021100033	Pan Head Screw M5x20	
3	30021000007	Steel Ball 6.35	
4	30271200009	Drill Chuck (13mm)	
5	30019900094	Function Turntable	
6	30024000097	Pad	
7	30020100037	Drive Spindle	
8	30021600120	Washer (6.2x23.8x1)	
9	30050900019	Dustproof Washer (17.5x20x12)	
10	30021400062	Ball Bearing 6002VV (LFB)	
11	30110300043	O Ring (5x1.5)	
12	30021600039	Circlip 12	
13	30020500105	Gear	
14		Left-half Motor Housing	
15	30021200022	Pan Head Tapping Screw ST4.2x19	
16	30030500031	Wire 110	
17	30030500030	Wire 125	
18	30030100020	Trigger Switch	
19	30030500143	Wire 150	
20	30030500143	Wire 150	
21	30030300431	Cord (2x0.75x2.7)	
22	30010100011	Cord Guard	

NO	Code	Name of Spare Parts	
23	30021200008	Pan Head Tapping Screw ST4.2x16 (with Flat Washer)	
24	30116300007	Strain Relief	
25	30024500058	Spring (16.5x1.2x10)	
26	30030700032	Carbon Brush Holder / Pair	
27	30030400031	Inductance	
28	30030600027	Carbon Brush / Pair	
29	30030400045	Capacitor	
30	30010200005	Rubber Pin (3.5x5)	
31	30021400004	Ball Bearing 607ZZ	
32		Stator	
33		Nameplate	
34		Armature	
35		Right-half Motor Housing	
36	30022000002	Impact Block	
37	30021100144	Pan Head Screw M4x25	
38	30023400046	Gear Housing Cover	
39	30021400133	Needle Bearing HK0810 (INA)	
40	30021400132	Needle Bearing HK0808 (INA)	
861	30005090041	Auxiliary Handle Assembly	
862	30024000094	Depth Gauge	
Set 1	30215200016	Motor Housing (C/W No : 14,35)	