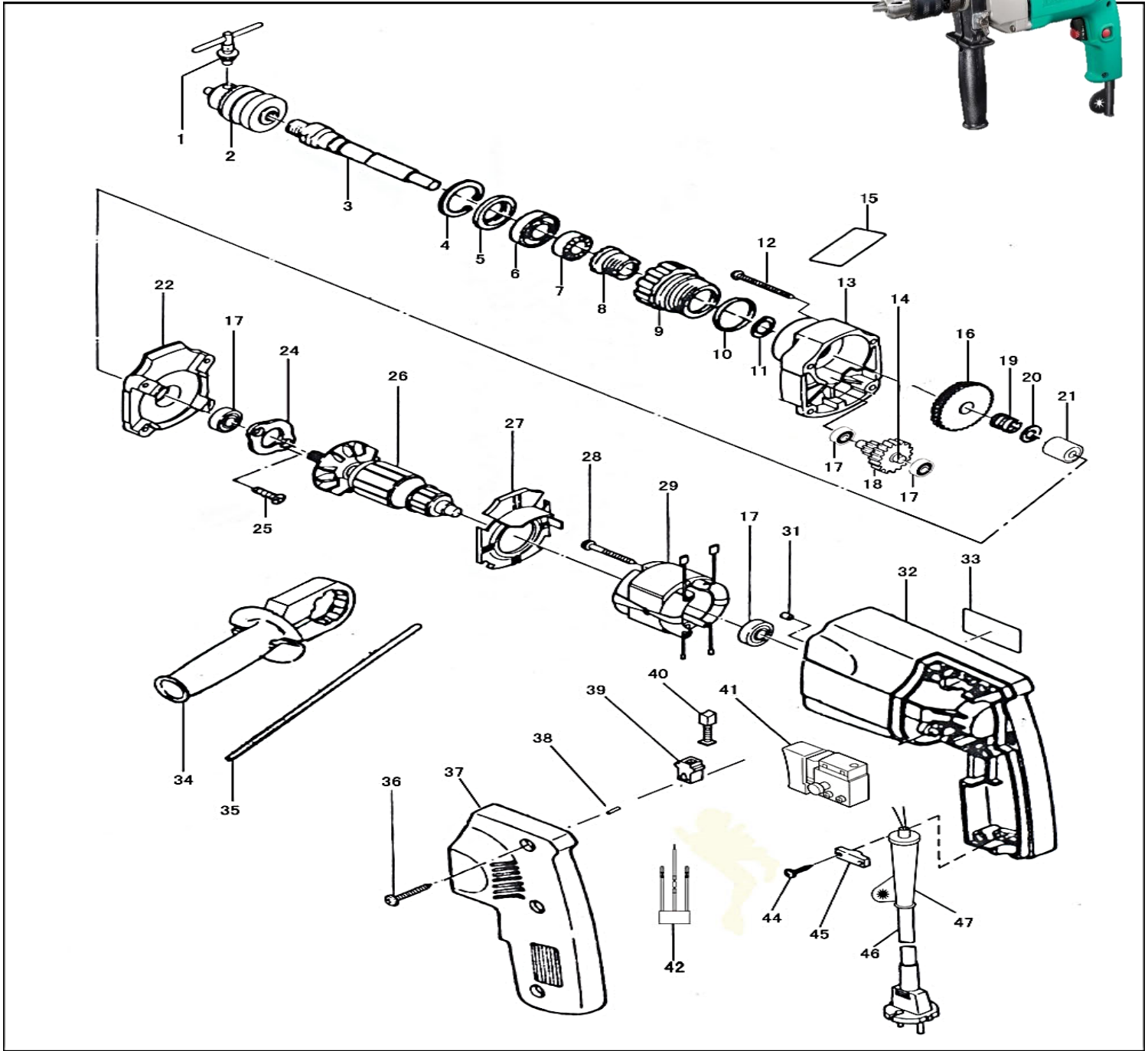


AZJ13 / Z1J-FF-13

DCA 1/2" IMPACT DRILL 500W V/SPEED

NO : DCA017

SPECIFICATION : Φ 13mm





NO	Code	Name of Spare Parts	
1	30071300010	Chuck Wrench	
2	30271200009	Drill Chuck	
3	30020100026	Drive Spindle	
4	30021600003	Circlip for Hole 32	
5	30010000044	Dustproof Washer (19.5x32x3.6)	
6	30021400062	Ball Bearing 6002VV (LFB)	
7	30029900068	Impact Block 1	
8	30029900067	Impact Block 2	
9	30029900069	Change Ring	
10	30010300044	O Ring (32x2)	
11	30021600118	Washer (20x30x1)	
12	30021200029	Pan Head Tapping Screw ST5x35	
13	30023300013	Gear Housing	
14	30020500053	Gear Shaft	
15		Label	
16	30020500049	Driven Gear (L)	
17	30021400015	Ball Bearing 608ZZ (LFB)	
18	30020500050	Driving Gear (S)	
19	30024500043	Spring (11.2x1.2x16)	
20	30021600119	Washer (9x14x0.5)	
21	30021400135	Needle Bearing HK0910 (INA)	
22	30023400005	Gear Housing Cover	
24	30024000093	Bearing Retainer	

NO	Code	Name of Spare Parts	
25	30021100052	Cross Recessed Countersunk Head Screw M4x10	
26		Armature Assembly	
27	30116000019	Baffle Plate	
28	30021200030	Pan Head Tapping Screw ST4.2x52	
29		Stator Assembly	
31	30010200004	Rubber Pin (4.5x8)	
32	30215400025	Motor Housing	
33		Nameplate	
34	30005090041	Auxiliary Handle Assembly	
35	30024000094	Depth Gauge	
36	30021100225	Pan Head Tapping Screw ST4.2x20	
37	30215700008	Handle Cover	
38	30110210003	Rubber Pin (4.5x6.5)	
39	30030700046	Carbon Brush Holder / Pair	
40	30030600065	Carbon Brush / Pair	
41	30030100093	Trigger Switch	
42		Capacitor Assembly	
44	30121210008	Pan Head Tapping Screw ST4.2x16 (with Flat Washer)	
45	30016300004	Strain Relief	
46	30030300431	Cord (2x0.75X2.7)	
47	30010100011	Cord Guard	
Set 1	30129900068	Impact Block Set (C/W No : 7,8)	