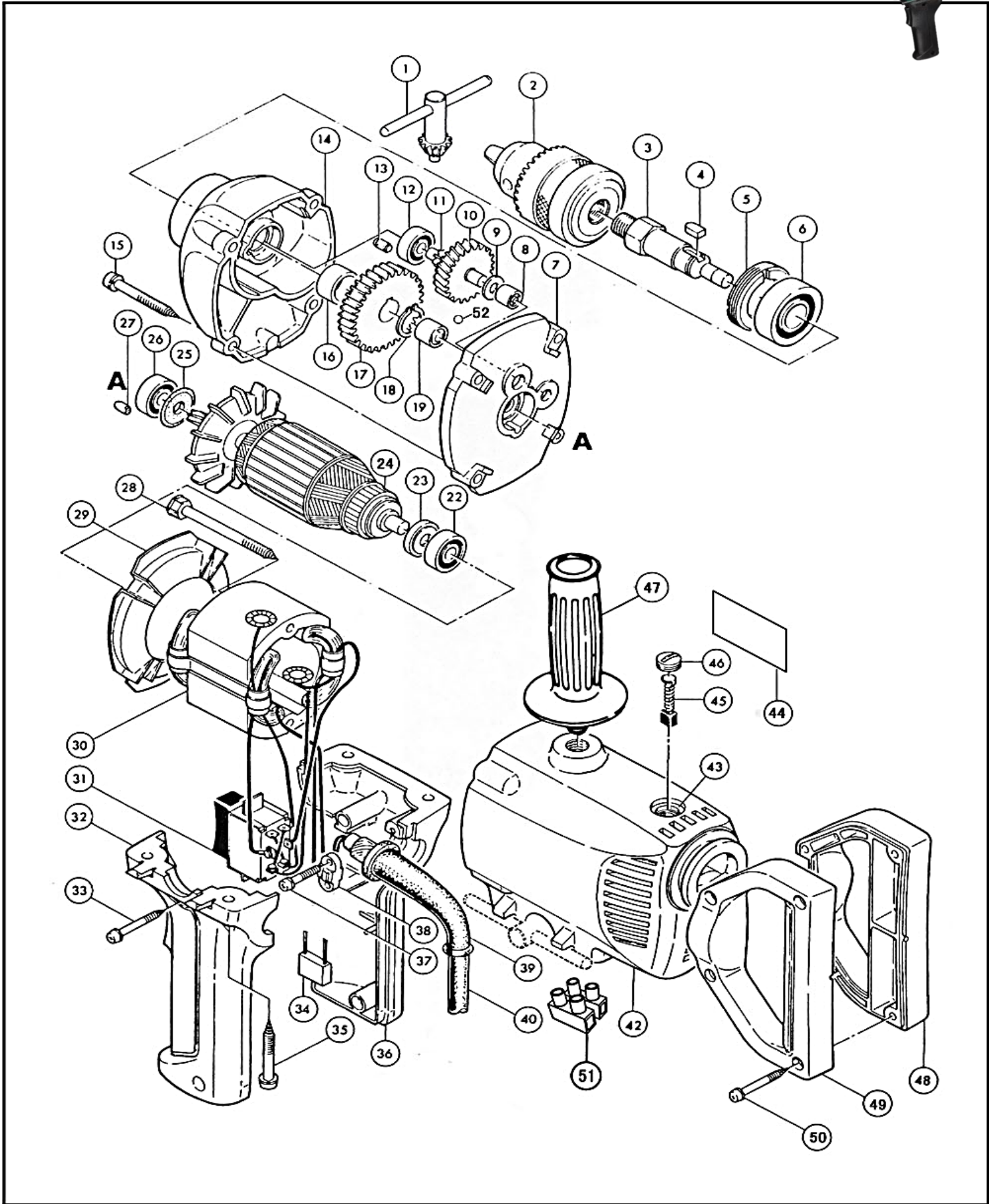
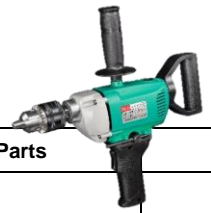


AJZ16A /J1Z-FF-16A
DCA 5/8" ELECTRIC DRILL 800W
{6013BR}

NO : DCA015
SPECIFICATION : Φ 13mm/16mm





NO	Code	Name of Spare Parts	
1		Chuck Wrench	
2	30171200009	Drill Chuck (13mm) (With Key)	
	30171200018	Drill Chuck (16mm) TY-FJ-ZJ (5/8-16UNF) (With Key)	
	30071200009	Drill Chuck	
	30071300011	Chuck Wrench	
3	30020100022	Drive Spindle	
4	30021700013	Flat Key A5x10x5	
5	30023000072	Bearing Retainer	
6	30021400102	Ball Bearing 6202VV (LFB)	
7	30023400039	Gear Housing Cover	
8	30021400150	Needle Bearing BK0609 (SBF)	
9	30050900004	Fiber Washer 6.4x13.8x1	
10	30020500099	Pinion (Small Gear)	
11	30120400001	Drive Shaft	
12	30021400025	Ball Bearing 626ZZ (RB)	
13	30010200008	Rubber Pin (4.5x5.5)	
14	30023300012	Gear Housing	
15	30021200029	Pan Head Tapping Screw ST5x35	
16	30025300008	Spacer Ring 15.3x20x9.4	
17	30120500016	Gear (L)	
18	30021600024	Circlip for Shaft 14	
19	30021400134	Needle Bearing BK0810 (SBF)	
22	30021400016	Ball Bearing 608VV (LFB)	
23	30016300019	Insulation Washer	
24		Armature Assembly	
25	30010000043	Dust Seal	
26	30021400016	Ball Bearing 608VV (LFB)	

NO	Code	Name of Spare Parts	
27	30110210003	Rubber Pin (4.5x6.5)	
28	30021200053	Pan Head Tapping Screw ST5x55	
29	30016000021	Baffle Plate	
30		Stator Assembly	
31	30030100044	Trigger Switch	
32		Left -half Handle	
33	30021200009	Pan Head Tapping Screw ST4x22	
34	30030400055	Capacitor 0.22 μ F	
35	30021200025	Pan Head Tapping Screw ST4.8x25	
36		Right-half Handle	
37	30021200005	Pan Head Tapping Screw ST4.2x15	
38	30016300004	Strain Relief	
39	30010100004	Cord Guard	
40	30030300431	Cord 2x0.75x2.7	
42	30215400069	Motor Housing	
43	30030700011	Carbon Brush Holder / Pair	
45	30030600012	Carbon Brush / Pair	
46	30030800008	Brush Holder Cap / Pair	
47	30015800033	Auxiliary Handle	
48		Carrying Handle	
49		Carrying Handle	
50	30021200009	Pan Head Tapping Screw ST4x22	
51	30030400017	Terminal Block	
52	30021000008	Steel Ball 3	
Set 1	30005090117	Handle Set (C/W : 32,36)	
Set 2	30019900162	Carrying Handle Set (C/W : 48,49)	