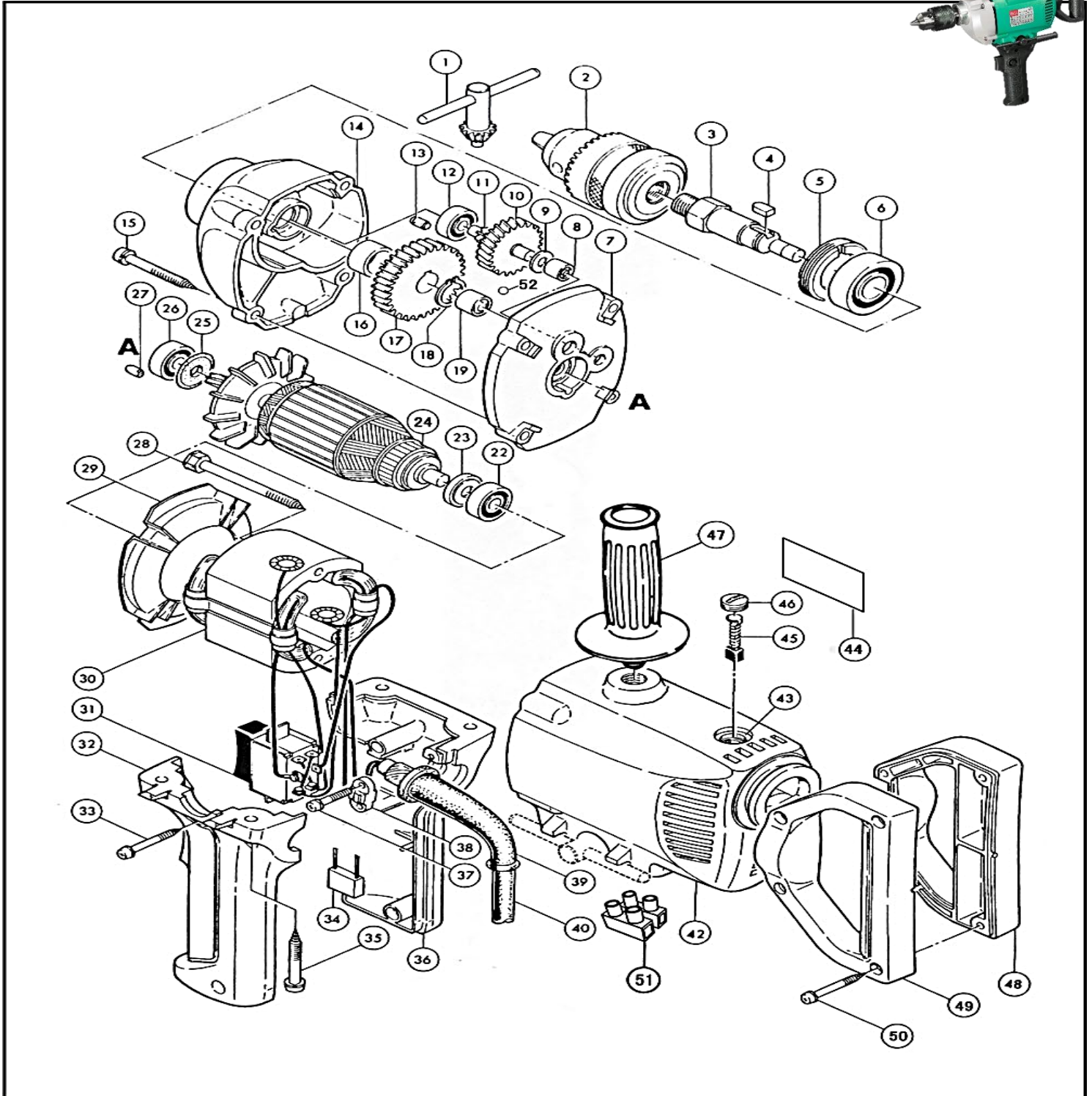


AJZ03-13B /J1Z-FF03-13B
DCA 1/2" ELECTRIC DRILL 800W
{6013BR}

NO : DCA014
SPECIFICATION : Φ 13mm/16mm





NO	Code	Name of Spare Parts	
1		Chuck Wrench	
2	30271200009	Drill Chuck (13mm) M12x1.25 (With Key)	
	30271200018	Drill Chuck (16mm) TY-FJ-ZJ (5/8-16UNF) (With Key)	
	30071200009	Drill Chuck 钻夹头 (16mm钻夹头) 属于配件	
	30071300011	Chuck Wrench 钥匙 (16mm钻夹头)	
3	30020100023	Drive Spindle	
4	30021700013	Flat Key A(5×10×5)	
5	30023000071	Bearing Retainer	
6	30021400102	Ball Bearing 6202VV (LFB)	
7	30023400039	Gear Housing Cover	
8	30021400150	Needle Bearing BK0609 (SBF)	
9	30050900004	Fiber Washer 6.4×13.8×1	
10	30020500099	Gear (S)	
11	30020400002	Drive Shaft	
12	30021400025	Ball Bearing 626ZZ (RB)	
13	30010200008	Rubber Pin (4.5×5.5)	
14	30023300012	Gear Housing	
15	30021200029	Pan Head Tapping Screw ST5×35	
16	30025300008	Spacer Ring 15.3×20×9.4	
17	30020500098	Gear (L)	
18	30021600024	Circlip for Shaft 14	
19	30021400134	Needle Bearing BK0810 (SBF)	
22	30021400016	Ball Bearing 608VV (LFB)	
23	30016300019	Insulation Washer	
24		Armature Assembly	
25	30010000043	Rubber Washer	
26	30021400016	Ball Bearing 608VV (LFB)	

NO	Code	Name of Spare Parts	
27	30110210003	Rubber Pin (4.5×6.5)	
28	30021200053	Pan Head Tapping Screw ST5×55	
29	30016000021	Baffle Plate	
30		Stator Assembly	
31	30030100044	Switch	
32		Left -half Handle	
33	30021200009	Pan Head Tapping Screw ST4×22	
34	30030400055	Capacitor0.22μF	
35	30021200025	Pan Head Tapping Screw ST4.8×25	
36		Right-half Handle	
37	30021200005	Pan Head Tapping Screw ST4.2×15	
38	30016300004	Strain Relief	
39	30010100004	Cord Guard	
40	30030300431	Cord 2×0.75x2.7	
42	30215400069	Motor Housing	
43	30030700011	Carbon Brush Holder	
45	30030600012	Carbon Brush	
46	30030800008	Brush Holder Cap	
47	30015800033	Auxiliary Handle	
48		Carrying Handle Set A	
49		Carrying Handle Set B	
50	30021200009	Pan Head Tapping Screw ST4×22	
51	30030400017	Terminal Block	
52	30021000008	Steel Ball 3	
Set 1	30019900162	Carrying Handle Set (C/W No : 48,49)	
Set 2	30005090117	Handle Set (C/W No : 32,36)	