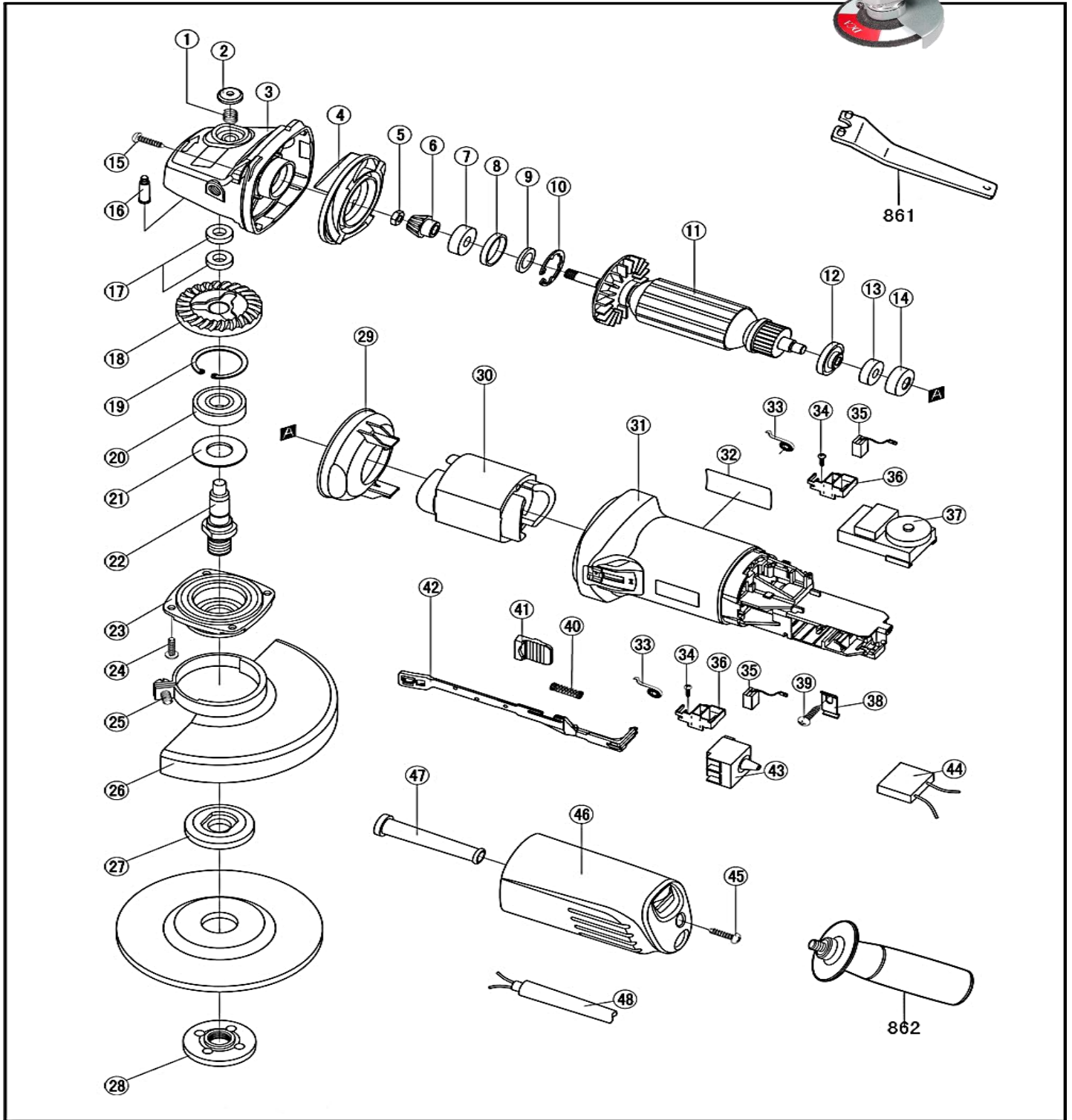


ASM10-100 / S1M-FF10-100 (VARIABLE SPEED)
DCA 4" ANGLE GRINDER 1020W

NO : DCA001VS
SPECIFICATION: Φ 100mm





NO	Code	Name of Spare Parts	
1		Auto Locking Spring (8.2×0.8×11)	
2		Lock Nut	
3	30023300027	Gear Housing	
4	30016000002	Guide Plate	
5	30021300018	Nut M7	
6		Driving Spiral Bevel Gear	
7	30021600064	Washer (8×17×0.3)	
8	30021400011	Ball Bearing 608DD (NSK)	
9	30010400002	Oil Seal (22x25.2x4)	
10	30024000012	Circlip for Hole	
11		Armature Assembly	
12	30016300014	Insulation Washer	
13	30021400004	Ball Bearing 607ZZ (NMB)	
14	30010500001	Bearing Cover (19×21.2×8.6)	
15	30021200020	Pan Head Tapping Screw ST4.2×25	
16		Lock Pin	
17	30021400040	Ball Bearing 688ZZ (LFB)	
18		Driven Spiral Bevel Gear	
19	30021600217	Circlip for Hole 32	
20	30021400087	Ball Bearing 6201DDW (NSK)	
21	30024000010	Dustproof Cover	
22	30020100031	Drive Spindle	
23	30023400019	Bearing Box	
24	30021100088	Pan Head Tapping Lock Screw M4×14	
25	30021100086	Pan Head Screw M6×16	
26	30005090011	Wheel Guard	
27		Inner Flange	

NO	Code	Name of Spare Parts	
28		Outer Flange	
29	30016000008	Baffle Plate	
30		Stator Assembly	
31	30215400009	Motor Housing	
32		Nameplate	
33	30024500006	Coil Spring	
34	30021100227	Pan Head Tapping Screw ST2.9×9	
35	30030600003	Carbon Brush / Pair	
36	30030700040	Carbon Brush Holder /Pair	
37	30030900003	Speed Adjusting Dial Ass'y	
38	30016300001	Strain Relief	
39	30021200021	Pan Head Tapping Screw ST4×12	
40	30024500005	Compression Spring (4.2×0.5×27)	
41	30016400005	Switch Knob	
42	30019900135	Switch Lever	
43	30030100054	Switch	
44	30030400011	Capacitor0.33μF	
45	30021200022	Pan Head Tapping Screw ST4.2×19	
46	30015500004	Rear Cover	
47	30010100007	Cord Guard	
48	30030300431	Cord (2x0.75x2.7)	
861	30025100001	Wrench	
862	30015800031	Auxiliary Handle	
Set 1	30005090081	Gear Set (C/W No : 6,18)	
Set 2	30005090013	Flange Set (C/W No : 27,28)	
Set 3	30005090014	Locking Assembly (C/W No : 1,2,16)	
Set 4	30005090110	Gear Housing Assembly (C/W No : 1,2,3,16,17)	