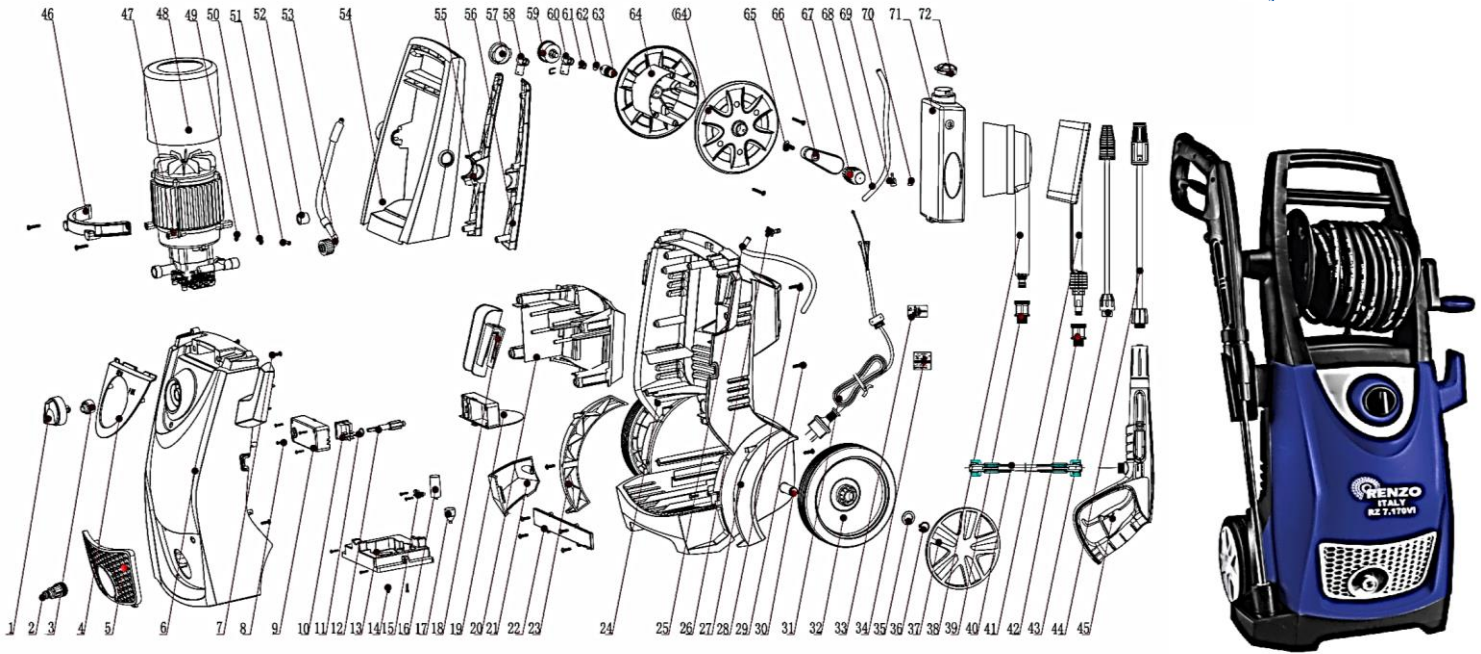
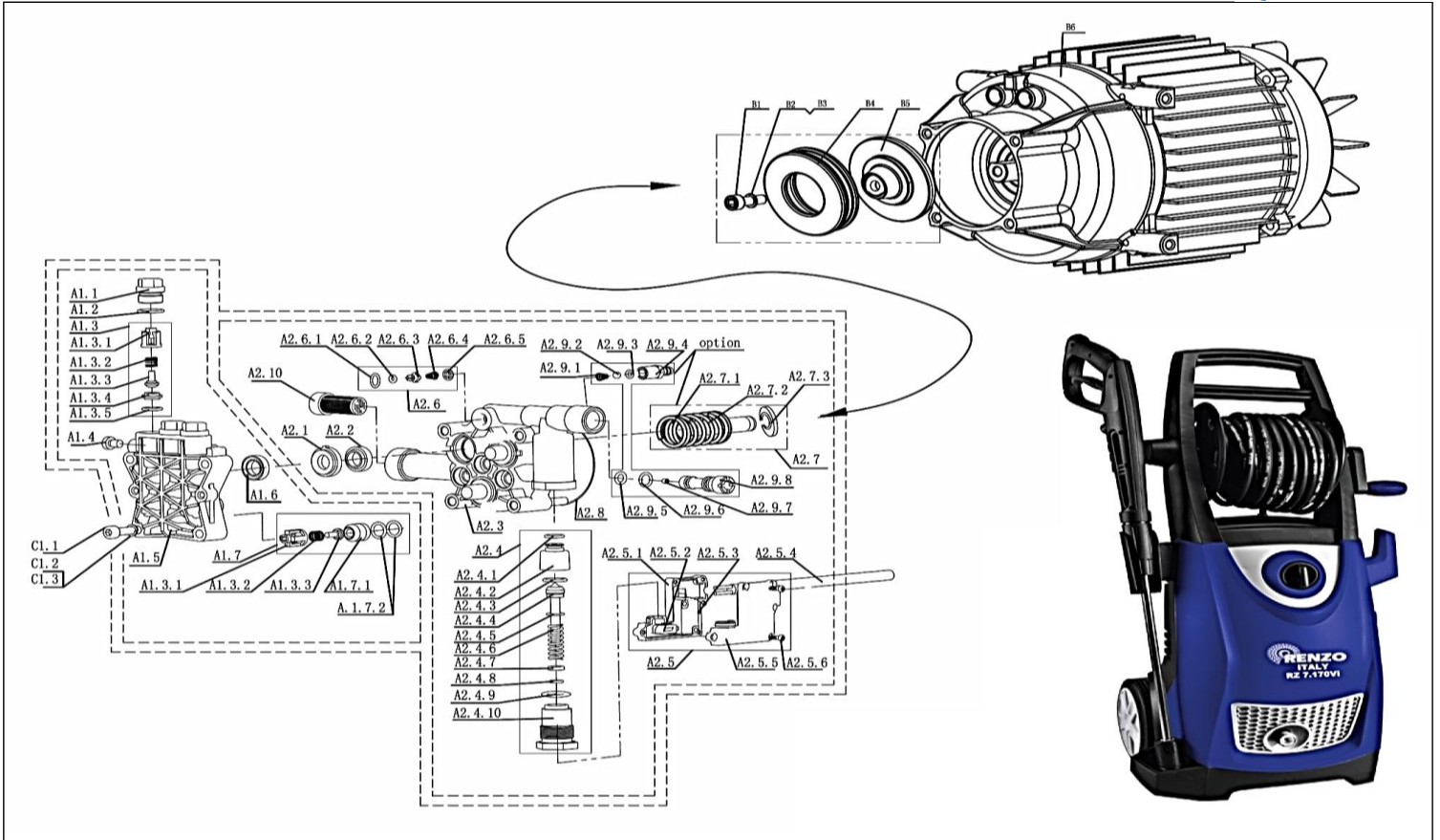


**HIGH PRESSURE CLEANER  
MODEL: RZ7.170Vi**



CODE	ITEM	PRICE
1	ON/OFF SWITCH	
2	INLET WATER NUT ASS'Y	
3	WIRE SEALING RING	
4	SWITCH DECK	
5	INLET WATER DECK	
6	FRONT HOUSING	
7	SCREW,ST4X14	
8	SCREW,ST2.9X13	
9	SWITCH BOX	
10	SWITCH	
11	O-RING $\phi$ 8.5x1.8	
12	GUN LEVER	
13	PUMP BASE	
14	SCREWM5X18	
15	CAPACITOR BOARD	
16	CAPACITOR40UF	
17	CAPACITOR COVER	
18	GUN PYLONS	
19	SWITCH COVER	
20	CLAPBOARD	
21	GUNSTOCK	
22	WATERPROOF BOARD	
23	LEFT WHEEL BRIM	
24	BACK HOUSING	
25	INNER TUBE	
26	DETERGENT TUBE CONNECTION	
27	RIGHT WHEEL BRIM	
28	SCREW,ST4.8X25	
29	SCREW,ST4.8X20	
30	BEARING	
31	POWER CORD ASS'Y	
32	WHEEL	
33	WARNING LABEL	
34	LABEL	
35	WASHER	
36	EXTERNAL CIRCLIP	

CODE	ITEM	PRICE
37	WHEEL COVER	
38	PATIO BRUSH KIT	
39	BRUSH KIT	
40	HIGH PRESSURE HOSE (STEEL WIRED)	
41	FIX BRUSH KIT	
42	BRUSH CONNECTION	
43	SPRAY NOZZLE (Turbo)	
44	SPRAY LANCE YLG04	
45	SPRAY GUN YLG04	
46	INDUCTANCE MOTOR BOARD	
47	MOTOR + PUMP	
48	WIND COVER	
49	SAWTOOTH WASHER $\phi$ 4	
50	SPRING WASHER $\phi$ 4	
51	SCREW,M4X8	
52	DAMPING RING	
53	INNER HIGH PRESSURE HOSE	
54	HOSE REEL BRACKET	
55	LEFT COVER OF HOSE REEL BRACKET	
56	RIGHT COVER OF HOSE REEL BRACKET	
57	HANDLE COVER	
58	TWO CHANNELS CONNECTOR	
59	PRESSURE GAUGE	
60	THREE CHANNELS CONNECTOR	
61	U PIN	
62	O-RING $\phi$ 4.8x1.8	
63	HIGH PRESSURE TUBE CONNECTION	
64	HOSE REEL	
65	SCREW 4.8X1.3	
66	ROLLING HANDLE	
67	ROLLING HANDLE COVER	
68	TUBE	
69	SPRAY SPIGOT	
70	SPRAY PLUG	
71	DETERGENT TANK	
72	DETERGENT TANK COVER	



CODE	ITEM	PRICE
A	PUMP ASSEMBLY	
A1	PUMP HEAD ASSEMBLY	
A1.1	BRASS VALVE NUT	
A1.1	ALUM. VALVE NUT	
A1.2	O-RING	
A1.3	OULET VALVE ASSEMBLY	
A1.3.1	VALVE BRACKET	
A1.3.2	VALVE SPRING	
A1.3.3	VALVE CORE	
A1.3.4	VALVE BASE	
A1.3.5	O-RING	
A1.4	X-SCREW	
A1.5	BRASS PUMP HEAD	
A1.5	ALUM. PUMP HEAD	
A1.6	Y-SEAL (same w/ 6.130)	
A1.7	INLET VALVE KIT	
A1.7.1	INLET VALVE BASE	
A1.7.2	O-RING	
A1.3.1	VALVE BRACKET	
A1.3.2	VALVE SPRING	
A1.3.3	VALVE CORE	
A2	CYLINDER BLOCK ASSEMBLY	
A2.1	SEAL BASE	
A2.2	PISTON OIL SEAL	
A2.3	CYLINDER BLOCK	
A2.4	BYPASS VALVE KIT	
A2.4.1	O-RING	
A2.4.2	BYPASS CYLINDER	
A2.4.3	O-RING	
A2.4.4	BYPASS CORE	
A2.4.5	STOP RING	
A2.4.6	BYPASS SPRING	
A2.4.7	WASHER	
A2.4.8	O-RING	
A2.4.9	O-RING	
A2.4.10	BYPASS SCREW	
A2.5	MICRO-SWITCH KIT	
A2.5.1	LOWER BOX COVER	
A2.5.2	POLE	

CODE	ITEM	PRICE
A2.5.3	MICRO-SWITCH	
A2.5.4	MICRO-SWITCH CABBLE	
A2.5.5	UPPER BOX COVER	
A2.5.6	ST-SCREW	
A2.6	CHIEF VAVE KIT	
A2.6.1	O-RING	
A2.6.2	O-RING	
A2.6.3	CHIEF VALVE CORE	
A2.6.4	CONE SPRING	
A2.6.5	CONE SPRING BASE	
A2.7	PISTON KIT	
A2.7.1	PISTON SPRING	
A2.7.2	PISTON	
A2.7.3	SPRING CHUCK	
A2.8	O-RING	
A2.9	SIPHON KIT	
A2.9.1	TAPER SPRING	
A2.9.2	STEEL BALL S $\phi$ 5	
A2.9.3	O-RING	
A2.9.4	SIPHON NIPPLE	
A2.9.5	O-RING	
A2.9.6	O-RING	
A2.9.7	VENTURI NOZZLE	
A2.9.8	VENTURI TUBE	
A2.10	FILTER	
B		
B1	INNER HEXAGON SCREW	
B2	ELASTIC WASHER	
B3	ELASTIC WASHER	
B4	BEARING (Set: 5pcs)	
B5	WOBBLE DISC	
B6	INDUCTION MOTOR 1.8KW	
	INDUCTION MOTOR 2KW	
	INDUCTION MOTOR 2.2KW	
	INDUCTION MOTOR 2.5KW	
	INDUCTION MOTOR 3KW	
C1.1	INNER HEXAGON SCREW	
C1.2	ELASTIC WASHER	
C1.3	WASHER	