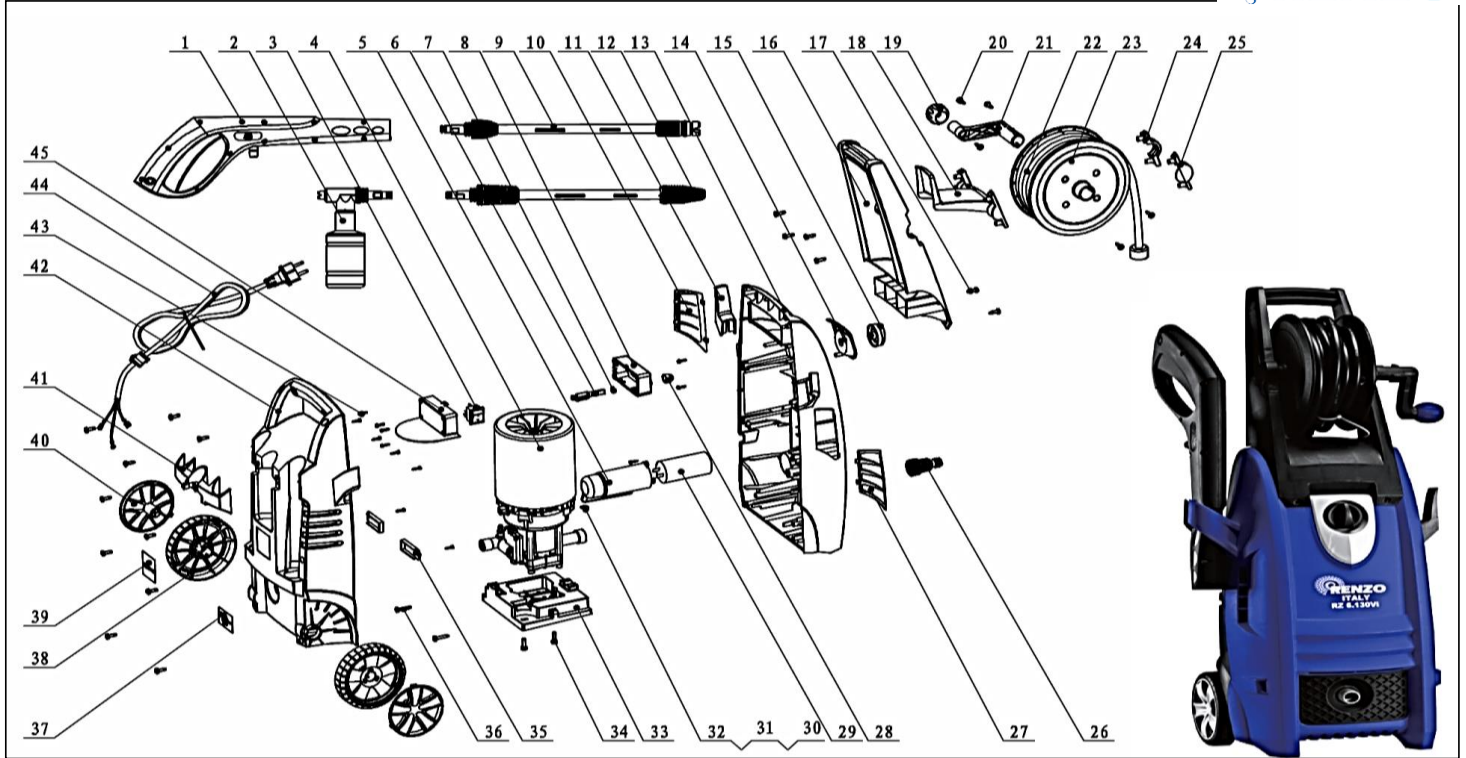


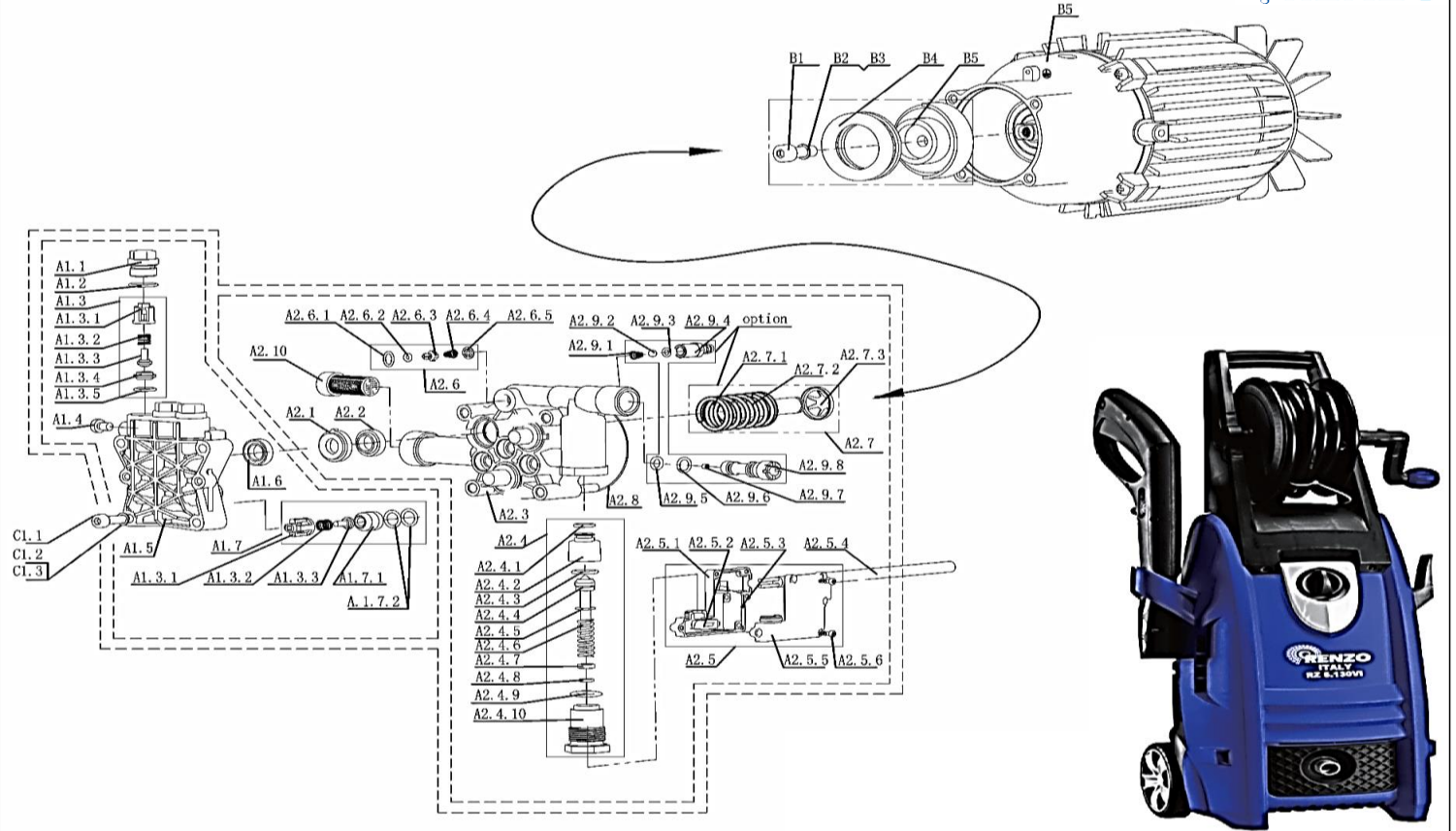
HIGH PRESSURE CLEANER
MODEL: RZ6.130Vi



CODE	ITEM	RM
1	GUN	
2	DETERGENT TANK	
3	ON/OFF SWITCH	
4	M08-1195 PUMP KIT 1800W	
5	CAPACITOR COVER	
6	SWITCH LEVER	
7	O RING 8.5*1.8	
8	FRONT SWITCH COVER	
9	LANCE	
10	RIGHT VENTILATING BOARD	
11	CORD HOOK	
12	TURBO LANCE	
13	FRONT HOUSING	
14	SWITCH DECK	
15	TURN BUTTON	
16	HANDLE	
17	SCREW 4.8*16	
18	HANDLE HOOK	
19	ROLLING HANDLE COVER	
20	SCREW 4.8*16	
21	WHEEL LEVER	
22	HIGH PRESSURE HOSE	
23	WHEEL	

CODE	ITEM	RM
24	RIGHT WHEEL COVER	
25	LEFT WHEEL COVER	
26	WATER INLET SCREW	
27	LEFT VENTILATING BOARD	
28	WIRE SEALING RING	
29	CAPACITOR	
30	SPRING WASHER ϕ 4	
31	SAWTOOTH WASHER ϕ 4	
32	SCREW M4*8	
33	PUMP BASE	
34	SCREW M5*18	
35	WATERPROOF BOARD	
36	SCREW ST4.8*25	
37	WARNING LABEL	
38	WHEEL	
39	RATING LABEL	
40	WHEEL COVER	
41	HOLDER FOR ACCESSORIES	
42	REAR HOUSING	
43	SCREW ST2.9*13	
44	POWER CORD ASS'Y	
45	REAR SWITCH COVER	

HIGH PRESSURE CLEANER
MODEL: RZ6.130Vi



CODE	ITEM	PRICE
A	PUMP ASSEMBLY	
A1	PUMP HEAD ASSEMBLY	
A1.1	VALVE BLOCK	
A1.2	O-RING	
A1.3	OULET VALVE ASSEMBLY	
A1.3.1	VALVE BRACKET	
A1.3.2	VALVE SPRING	
A1.3.3	VALVE CORE	
A1.3.4	INLET BASE	
A1.3.5	O-RING	
A1.4	X-SCREW	
A1.5	PUMP HEAD	
A1.6	Y-SEAL (Same w/ 7.170)	
A1.7	INLET VALVE KIT	
A1.7.1	INLET VALVE BASE	
A1.7.2	O-RING	
A1.3.1	VALVE BRACKET	
A1.3.2	VALVE SPRING	
A1.3.3	VALVE CORE	
A2	CYLINDER BLOCK ASSEMBLY	
A2.1	SEAL BRACKET	
A2.2	PISTON OIL SEAL	
A2.3	CYLINDER BLOCK	
A2.4	BYPASSING VALVE KIT	
A2.4.1	O-RING	
A2.4.2	BYPASS CYLINDER	
A2.4.3	O-RING	
A2.4.4	BYPASS CORE	
A2.4.5	STOP RING	
A2.4.6	BYPASS SPRING	
A2.4.7	WASHER	
A2.4.8	O-RING	
A2.4.9	O-RING	
A2.4.10	BYPASS SCREW	
A2.5	MICRO-SW-KIT	
A2.5.1	LOWER BOX COVER	
A2.5.2	POLE	

CODE	ITEM	PRICE
A2.5.3	MICRO-SWITCH	
A2.5.4	MICRO-SWITCH CABBLE	
A2.5.5	UPPER BOX COVER	
A2.5.6	ST-SCREW	
A2.6	CHIEF VAVE KIT	
A2.6.1	O-RING	
A2.6.2	O-RING	
A2.6.3	CHIEF VALVE CORE	
A2.6.4	CONE SPRING	
A2.6.5	CONE SPRING BASE	
A2.7	PISTON KIT	
A2.7.1	PISTON SPRING	
A2.7.2	PISTON	
A2.7.3	SPRING CHUCK	
A2.8	O-RING	
A2.9	SIPHON KIT	
A2.9.1	TAPER SPRING	
A2.9.2	STEEL BALL S 5	
A2.9.3	O-RING	
A2.9.4	SIPHON NIPPLE	
A2.9.5	O-RING	
A2.9.6	O-RING	
A2.9.7	VENTURI NOZZLE	
A2.9.8	VENTURI TUBE	
A2.10	WATER FILTER	
B	电机斜盘装配组件	
B1	INNER HEXAGON SCREW M8*16	
B2	ELASTIC WASHER	
B3	PLAIN WASHER	
B4	BEARING	
B5	WOBBLE DISC	
B6	INDUCTION MOTOR	
	INDUCTION MOTOR	
C1.1	INNER HEXAGON SCREW	
C1.2	ELASTIC WASHER	
C1.3	PLAIN WASHER	
	MOTOR COVER	
	Packing Assembly	